

Contents

Important User Information	2	Assembly	4
Safety Precautions	2	Operation	7
Required Tools	3	Accessories (Sold Separately)	8
Parts List	3		



Visit the Flex TechBridge web page at wengercorp.com for more information.

Note: Please read and understand these instructions before proceeding.
Note: If you need additional information, contact Wenger Corporation using the information below.

Important User Information

General

Copyright © 2024 by Wenger Corporation

All rights reserved. No part of the contents of this manual may be reproduced, copied, or transmitted in any form or by any means including graphic, electronic, or mechanical methods or photocopying, recording, or information storage and retrieval systems without the written permission of the publisher, unless it is for the purchaser's personal use.

Printed and bound in the United States of America.

The information in this manual is subject to change without notice and does not represent a commitment on the part of Wenger Corporation. Wenger Corporation does not assume any responsibility for any errors that may appear in these instructions.

In no event will Wenger Corporation be liable for technical or editorial omissions made herein, nor for direct, indirect, special, incidental, or consequential damages resulting from the use or defect of these instructions. The manufacturer reserves the right to change this product at any time.

The information in this document is not intended to cover all possible conditions and situations that might occur. The end user must exercise caution and common sense when assembling or installing Wenger Corporation products. If any questions or problems arise, call the Wenger Corporation at (800) 4WENGER (493-6437) or +1-507-455-4100 worldwide.

Manufacturer

The Flex® TechBridge and accessories are manufactured by:

Wenger Corporation
555 Park Drive
Owatonna, MN 55060
(800) 4WENGER (493-6437) • +1 (507) 455-4100
wengercorp.com

Intended Use

- This product is intended for indoor use in normal ambient temperature and humidity conditions – it must not be exposed to prolonged outside weather conditions.
- This product is intended to be assembled, installed and used only as described in these instructions.

Warranty

Warranty information is available at wengercorp.com.

Safety Precautions

Throughout this document you may find cautions and warnings which are defined as follows:

- **WARNING:** Failure to follow the instruction could result in serious injury or damage to property.
- **CAUTION:** Failure to follow the instruction could result in minor injury or damage to property.

Read and understand all of these safety instructions before any assembly, installation or use.

CAUTION

Make sure anyone assembling, installing or using this product has read and understands these instructions.

CAUTION

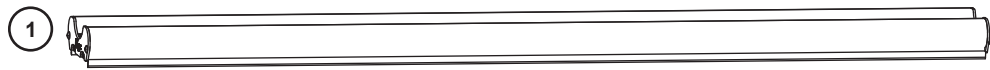
Failure to comply with Warnings and Cautions in this document or on the equipment can result in damage to property or serious injury.

Required Tools

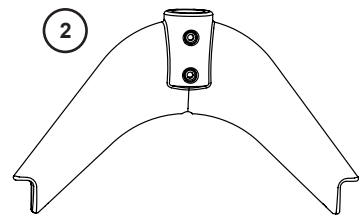
- 3/8" Socket or open end/box end wrench
- 5/32" Allen wrench

Parts List

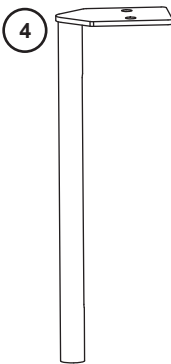
Item	Qty	Description	Item	Qty	Description	Item	Qty	Description
1	1	Bridge	5	1	Short Outer Upright Tube	9	4	1/4-20 x 3/4" Self-tapping Screw
2	1	Large Base	6	1	Long Outer Upright Tube	10	4	3/8-16 Carriage Bolt
3	1	Small Base without Wheels	7	2	Locking Lever	11	2	2 x 5/16" Poly Wheel
4	2	Inner Upright Tube	8	4	3/8-16 Plastic Wing Nut	12	2	5/16 x 1" Shoulder Screw



Bridge



Large Base



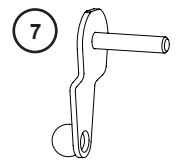
Inner Upright Tube



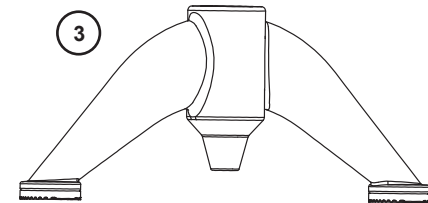
Short Outer Upright Tube



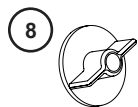
Long Outer Upright Tube



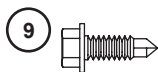
Locking Lever



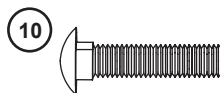
Small Base Without Wheels



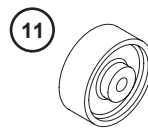
3/8-16 Plastic Wing Nut



1/4-20 x 3/4" Self-tapping Screw



3/8-16 Carriage Bolt



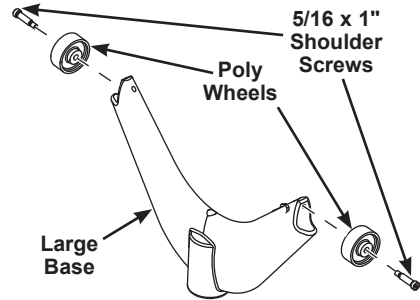
2 x 5/16" Poly Wheel



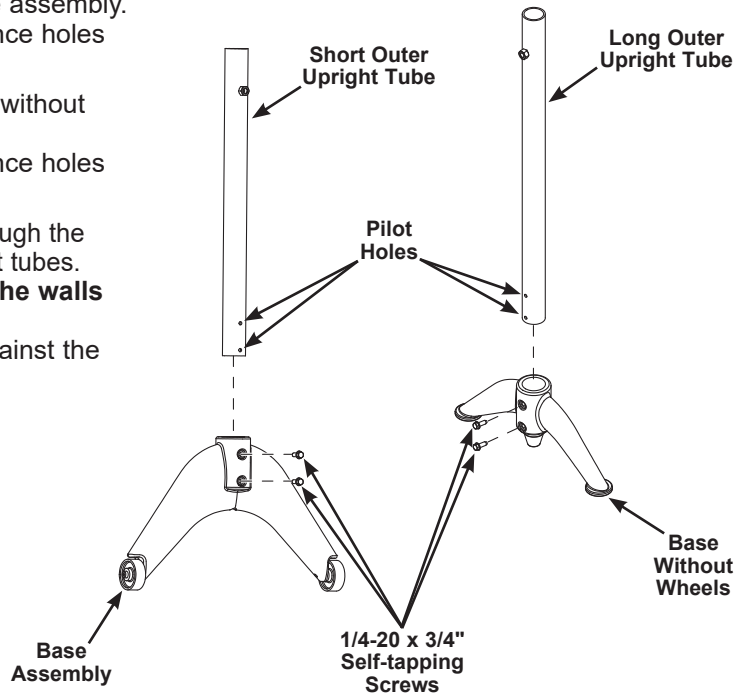
5/16 x 1" Shoulder Screw

Assembly

1. Attach the poly wheels to the large base using two 5/16 x 1" shoulder screws and a 5/32" allen wrench.



2. Insert the short outer upright tube into the base assembly. Align the pilot holes in the tube with the clearance holes in the base.
3. Insert the long outer upright tube into the base without wheels. Align the pilot holes in the tube with the clearance holes in the base.
4. Thread the 1/4-20 x 3/4" self-tapping screws through the holes in the bases and the first wall of the upright tubes. **The self-tapping screws will cut threads in the walls of the upright tubes as they are tightened.** Continue to tighten each screw until it stops against the upright tube.



NOTICE

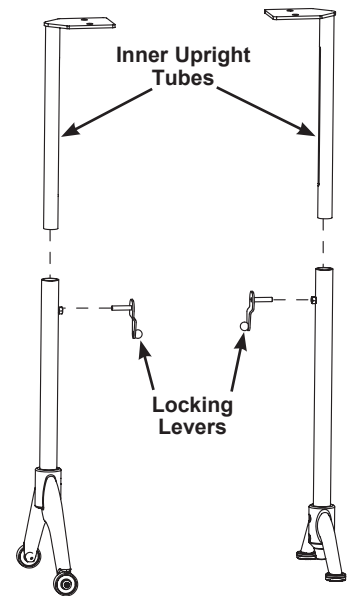
Exceeding 66 in-lb of tightening torque may damage the screw or tube threads.

Assembly (continued)

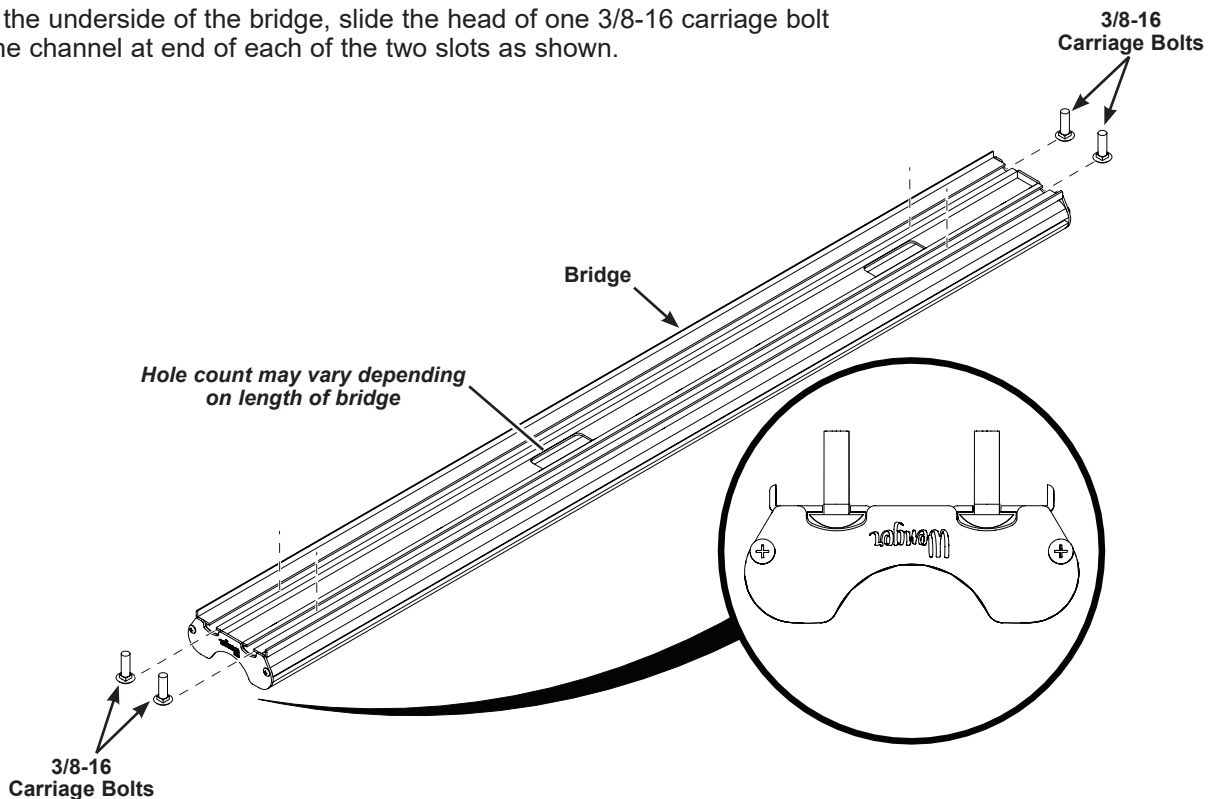
5. Insert one inner upright tube into the outer tube of each base assembly.
6. Lock the inner upright tubes into position by threading a locking lever into the hole located at the top of each outer upright tube and hand tightening.
Set the inner tubes at approximately the same position for assembly purposes.

NOTICE

If attaching the power strip shelf accessory, assemble it onto the bridge before completing the next steps.

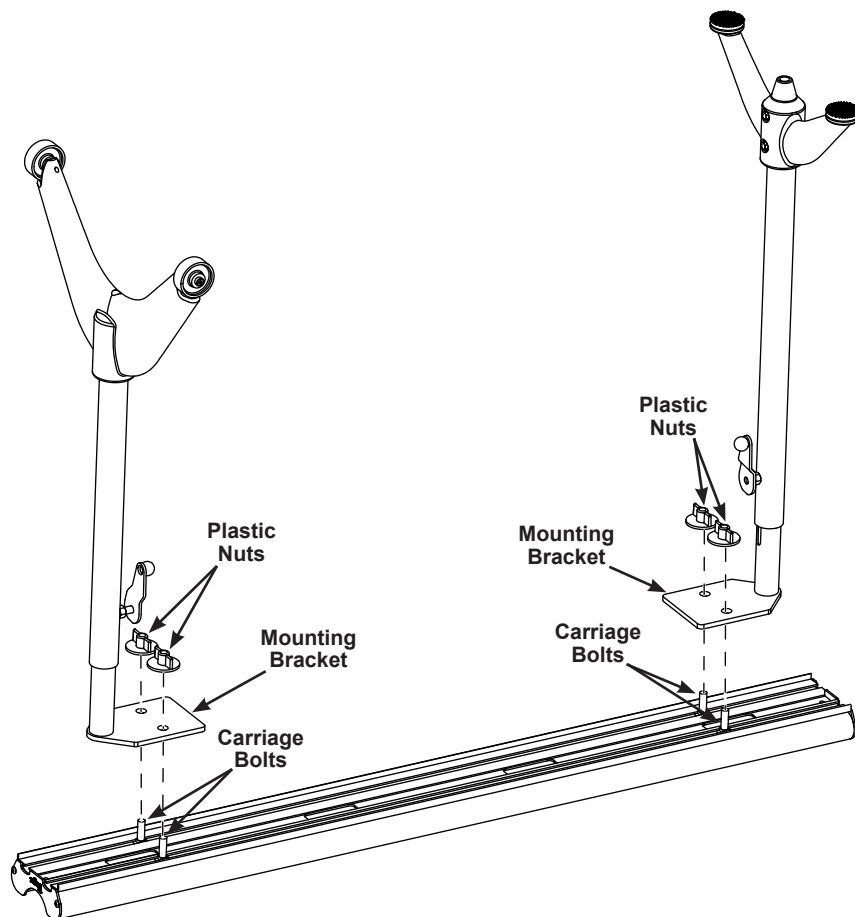


7. From the underside of the bridge, slide the head of one 3/8-16 carriage bolt into the channel at end of each of the two slots as shown.



Assembly (continued)

8. Place the mounting bracket of each base assembly over the carriage bolts in the bridge. Be sure that each carriage bolt goes through the matching holes in the mounting brackets.
9. Thread a plastic nut onto each carriage bolt to secure the base assembly to the bridge. The plastic nut should be hand tightened only.



Operation

To Set the Height

Two people are recommended, one to hold the bridge in position and the other to loosen and tighten the locking levers.

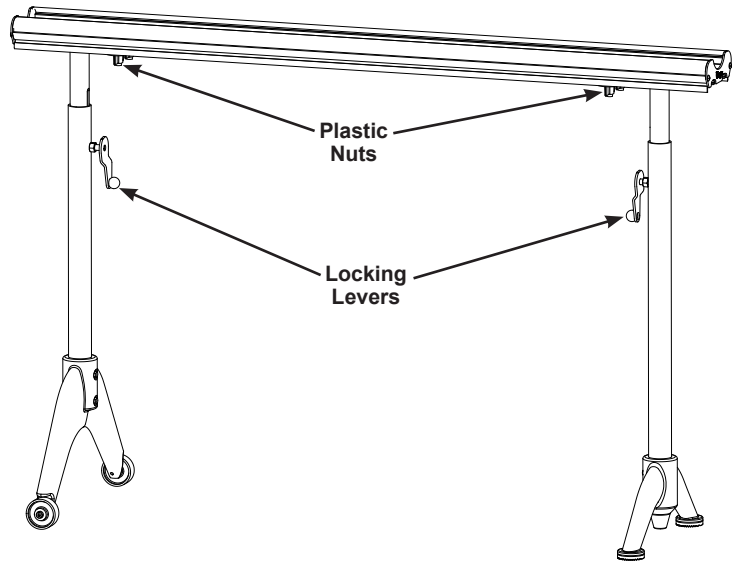
1. Loosen the locking levers on both of the upright posts and set the bridge at the desired height.
2. Tighten the locking levers to secure in place.

To Set Upright Post Location

1. Loosen the plastic nuts that secure the upright post to the underside of the bridge.
2. Slide the upright post assembly to the desired position along the attachment slots in the bridge extrusion.
3. Hand tighten the plastic nuts to secure in place.

CAUTION

The bridge can drop suddenly if the locking levers are not securely tightened.



To Move the Flex TechBridge

1. Lift the end of the bridge that does not have wheels and push or pull the TechBridge to the desired location.
2. Remove any accessories that are not secured to the bridge before moving.

Orienting Flex TechBridge to Flex Conductors Stand

1. Roll the Flex TechBridge up to the cast iron base of the conductor's stand.
2. Drop the point of the smaller base on the bridge (the base with no wheels) into the orientation pockets of the stand base.
3. The bridge may be rotated to any angle along the floor to create an alcove work space or parallel to the stand to create a straight working space.

Maintenance

1. Clean the Flex TechBridge with a mild detergent. Avoid using harsh or abrasive cleaning products.
2. Never apply oil or any lubricant to the height adjustment tube.
3. Periodically check fasteners to ensure that they have not loosened during use.

Accessories (sold separately)

Required Tools for Accessories

Bridge Clips

- No tools needed

Cup Holder

- Phillips head screwdriver
- 3/8" Socket wrench or open end/box end wrench

Keyboard Mounts

- 9/16" Socket wrench or open end/box end wrench
- 7/32" Allen wrench

Power Strip Shelf

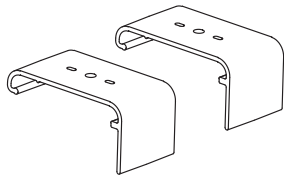
- No tools needed

Universal Tablet Mount

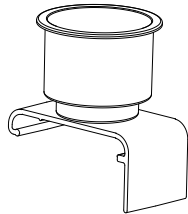
- Pliers
- 7/32" Allen hex socket wrench (recommended)
or 7/32" Allen wrench

Work Surface Mount

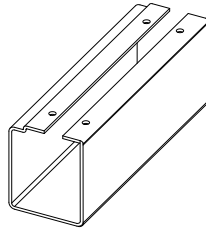
- Phillips head screwdriver



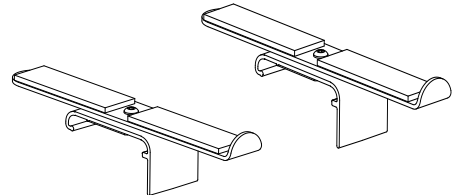
Bridge Clips



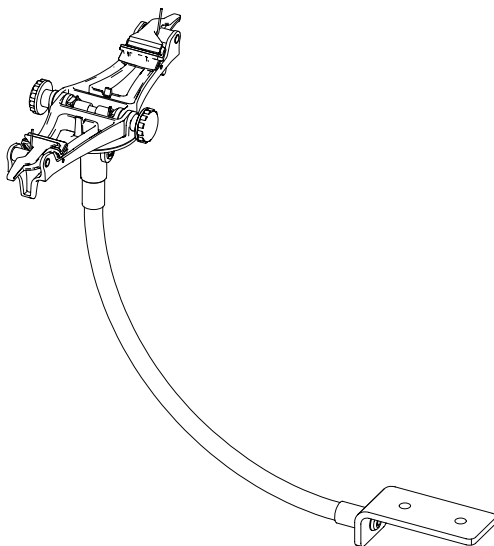
Cup Holder



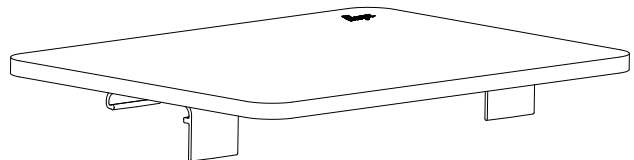
Power Strip Shelf



Keyboard Mounts



Universal Tablet Mount



Work Surface Mount